

*Find your*  
GARDEN HOUSE  
AND ENJOY LIFE IN IT



Modern prefabricated wooden  
structures created using  
eco-friendly technologies

**TIMBER**

---

# Advantages

We offer prefabricated wooden houses made of high-quality and environmentally-friendly materials for those who want to live in comfort and style away from the hustle and bustle of the city.



## *Beautiful Day*

Thanks to the support. Always offer a solution tailored to your business. Our products are exported to 53 countries worldwide with main markets in Scandinavia, the Baltics and Germany.

### Ecological footprint

We use environmentally-friendly technologies and eco-materials.

### Design functionality

Our houses will meet many needs throughout their service life.

### Quick and easy installation

Well thought-out design ensures quick and easy installation.

---

# HOT TUB

- Dimensions: 2 m x 1 m - 0.85 m
- Capacity: up to 6 persons

## Specification:

- fiberglass bathtub (you can choose the following lining colors: dark gray, white, black, turquoise blue, burgundy red, blue, etc.);
- spruce wood finish (you can choose the following colors: black, brown, gray);
- hot tub warmed with thermal foam;
- stainless steel oven;
- chimney with roof, 2m;
- two-part leather imitation thermal cover, which is easy to open and will keep the water temperature warm for a much longer time;
- 3 step ladder;
- 2 stainless steel hoops around the tub;
- includes drink holder with 4 places for glasses.

## HOT TUB V1



## HOT TUB V2



## HOT TUB V3



When ordering this type of tub, you can choose:

- Fiberglass lining color (dark gray, white, black, turquoise blue, burgundy red, blue, etc.);
- Paint tub for finishing the boards (black, brown, gray, etc.).

## Special equipment:

- Thermal cover
- Hydro massage system with 8 nozzles. Nozzles can be adjusted.
- Adjustable massage system pressure;
- LED lighting with 7 tones and two functions.
- Color change can be turned on manually, and there is also an automatic mode.

## Special equipment:

- Thermal cover
- Decorative LED panel with pattern;
- Hydro massage system with 8 nozzles.
- The nozzles can be adjusted to different angles.
- The pressure of the massage system is also adjustable;
- Air bubble system
- LED lighting with 7 tones and two functions
- Color change can be turned on manually
- There is also an automatic mode for changing colors

2697 EUR

2957 EUR

3297 EUR

## Contact Us:

+31 6 33193835

# SAUNA

## BARREL SAUNA, 2M



Dimensions: length 2m, diameter 2.4m.

Capacity: the sauna is designed for up to 4 people.

### Specification:

- it is possible to equip with a wood-burning stove or an electric stove (according to the customer's wishes);
- firebox for a wood-burning stove from the inside or outside (according to the customer's wishes);
- 2 benches - arranged along the sides, made of thermal wood, length 2m;
- back supports, leg supports under the benches - for more comfortable sitting;
- tempered/tinted glass for sauna doors;
- adjustable air supply in the sauna;
- painted terrace board floor in the sauna room;
- sauna equipped with lighting, 1 lamp;
- fir boards, 44 mm, were used for finishing the sauna;
- finishing color options: brown, black, gray;
- Bitumen shingle roof covering, foil covering under the roof;
- insulated chimney with roof.

3997 EUR

## OVAL SAUNA



**Sauna room** 2x2.5m:

The sauna room is designed for 6 people;

- wood-burning stove from the hall;
- stove with a water boiler on the chimney (warm water is obtained when heating the sauna);
- insulated chimney with a roof;
- lava L design made of thermo wood, back supports;
- leg supports under the benches - for more comfortable sitting;
- adjustable air supply in the sauna;
- openable window in the sauna room, 60x128cm;
- tempered/tinted glass for sauna doors;
- painted terrace board floor in the sauna room;
- equipped with lighting, 1 lamp;
- for finishing the sauna - fir boards, 44mm;
- Bitumen shingle roof covering, foil covering under the roof.

**Rest room** 3x2.5m:

- the lounge can comfortably fit up to 10 people;
- window 120x120 cm;
- an opening bench with space for storing things;
- lockable wooden/glass front door;
- the room is equipped with lighting, 1 lamp;
- floor made of fir floorboards.

7997 EUR

## SAUNA HOUSE



Total dimensions of the sauna house: length 5m, width 2.5m, height 2.5m.

### Sauna room specification:

- the sauna room is designed for up to 8 people;
- wood-burning stove, which can be fired from outside the sauna room (can also be from inside);
- it is possible to equip with a wood-burning stove or an electric stove (according to the customer's wishes);
- water boiler for the chimney (warm water is obtained when heating the sauna);
- special sauna window, 30x30cm, openable;
- adjustable air supply in the sauna;
- two-level thermal wooden benches with back supports for more comfortable sitting;
- the room is equipped with lighting, 1 lamp;
- tempered bronze glass door to the sauna room;
- shower room: 0.9x0.9m

### Lounge specification:

- size: 3x2.5m;
- the room is equipped with lighting, 1 lamp;
- wooden front door with window, lockable;
- clapboard floor;
- metal roofing "Trapeze";
- metal wind edges;
- black, gray or brown color;
- insulated chimney with roof.

9997 EUR

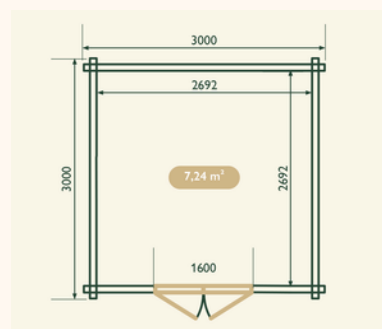
**Contact Us:**

+31 6 33193835



# AIRÉN 3×3

- The cabin is made of 28 mm thick wooden beams.
- Double wind locks joining the beams prevent draughts.
- The roof and floor are made of boards and joined with single wind locks.
- The base of the house that is in contact with the ground is treated with a preservative.
- The doors and windows are double glazed to keep warmth inside.
- The door has a lock.
- The natural colour of the walls emphasises the innate beauty and sustainability of the wood.
- The original product may vary from product images. Please refer to the product specification and optional extras before purchase. Producer shall have the right to make technical changes to the product.



2997 EUR

Riga, Latvia

**Contact Us:**  
+31 6 33193835

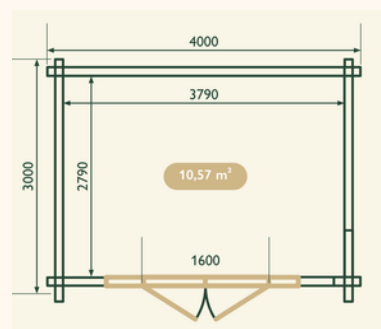


# RIESLING 4×3

- The cabin is made of 28 mm thick wooden beams.
- Double wind locks joining the beams prevent draughts.
- The roof and floor are made of boards and joined with single wind locks.
- The base of the house that is in contact with the ground is treated with a preservative.
- The doors and windows are double glazed to keep warmth inside.
- The door has a lock.
- The natural colour of the walls emphasises the innate beauty and sustainability of the wood.
- The original product may vary from product images. Please refer to the product specification and optional extras before purchase. Producer shall have the right to make technical changes to the product.

3597 EUR

Riga, Latvia



**Contact Us:**  
+31 6 33193835

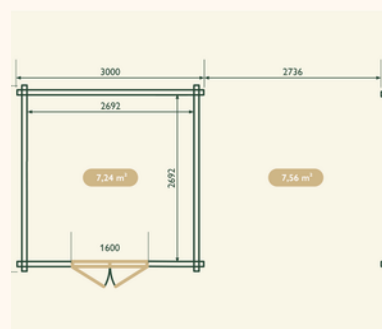
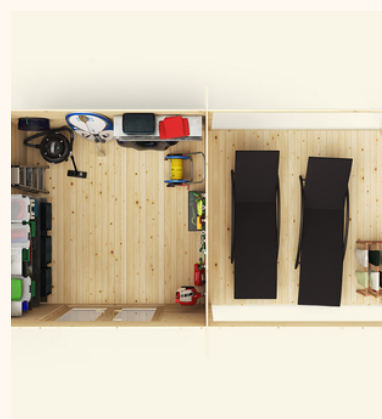


# GRENACHE 6×3

- The cabin is made of 28 mm thick wooden beams.
- Double wind locks joining the beams prevent draughts.
- The roof and floor are made of boards and joined with single wind locks.
- The base of the house that is in contact with the ground is treated with a preservative.
- The doors and windows are double-glazed to keep warmth inside.
- The door has a lock.
- The natural colour of the walls emphasises the innate beauty and sustainability of the wood.
- The original product may vary from product images. Please refer to the product specification and optional extras before purchase. Producer shall have the right to make technical changes to the product.

3697 EUR

Riga, Latvia



**Contact Us:**  
+31 6 33193835

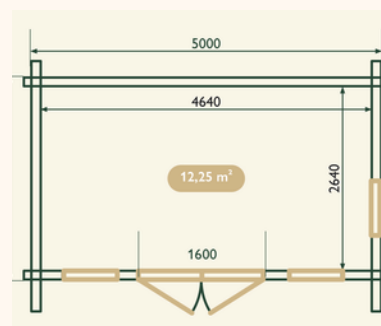


# CHENIN 5×3

- The cabin is made of 44 mm thick wooden beams.
- Double wind locks joining the beams prevent draughts.
- The roof and floor are made of boards and joined with single wind locks.
- The base of the house that is in contact with the ground is treated with a preservative.
- The doors and windows are double glazed to keep warmth inside.
- The door has a lock.
- The natural colour of the walls emphasises the innate beauty and sustainability of the wood.
- The original product may vary from product images. Please refer to the product specification and optional extras before purchase. Producer shall have the right to make technical changes to the product.

4397 EUR

Riga, Latvia



**Contact Us:**  
+31 6 33193835



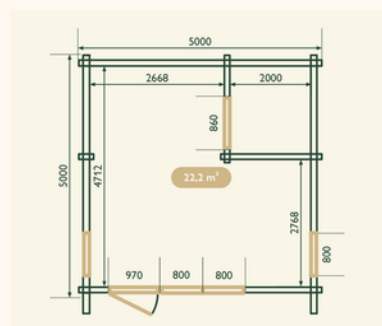


# CHARDONNAY 5×5

- The cabin is made of 44 mm thick wooden beams.
- Double wind locks joining the beams prevent draughts.
- The roof and floor are made of boards and joined with single wind locks.
- The base of the house that is in contact with the ground is treated with a preservative.
- The doors and windows are double glazed to keep warmth inside.
- The door has a lock.
- The natural colour of the walls emphasises the innate beauty and sustainability of the wood.
- The original product may vary from product images. Please refer to the product specification and optional extras before purchase. Producer shall have the right to make technical changes to the product.

6897 EUR

Riga, Latvia



**Contact Us:**  
+31 6 33193835

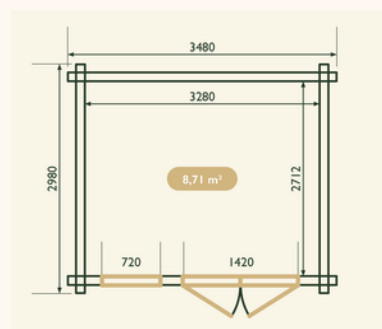


# SYRAH 3.5×3

- The cabin is made of 34 mm thick wooden beams with rounded ends.
- Double wind locks joining the beams prevent draughts.
- The roof and floor are made of boards and joined with single wind locks.
- The base of the house that is in contact with the ground is treated with a preservative.
- The doors and windows have non-standard double glazing and a decorative grill.
- The door has a lock.
- The original product may vary from product images. Please refer to the product specification and optional extras before purchase. Producer shall have the right to make technical changes to the product.

**3197 EUR**

**Riga, Latvia**



**Contact Us:**  
**+31 6 33193835**

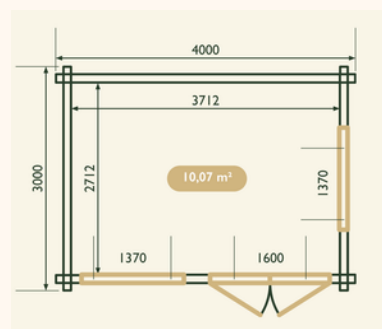


# MARSELAN 4×3

- The cabin is made of 44 mm thick wooden beams.
- Double wind locks joining the beams prevent draughts.
- The roof and floor are made of boards and joined with single wind locks.
- The base of the house that is in contact with the ground is treated with a preservative.
- The doors and windows are double glazed to keep warmth inside.
- The door has a lock.
- The natural colour of the walls emphasises the innate beauty and sustainability of the wood.
- The original product may vary from product images. Please refer to the product specification and optional extras before purchase. Producer shall have the right to make technical changes to the product.

3897 EUR

Riga, Latvia



**Contact Us:**  
+31 6 33193835

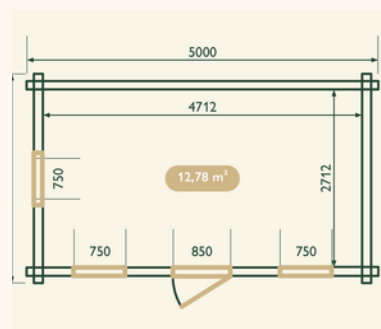


# MALBEC 5×3

- The cabin is made of 44 mm thick wooden beams.
- Double wind locks joining the beams prevent draughts.
- The roof and floor are made of boards and joined with single wind locks.
- The base of the house that is in contact with the ground is treated with a preservative.
- The doors and windows are double glazed to keep warmth inside.
- The door has a lock.
- The natural colour of the walls emphasises the innate beauty and sustainability of the wood.
- The original product may vary from product images. Please refer to the product specification and optional extras before purchase. Producer shall have the right to make technical changes to the product.

3997 EUR

Riga, Latvia



**Contact Us:**  
+31 6 33193835

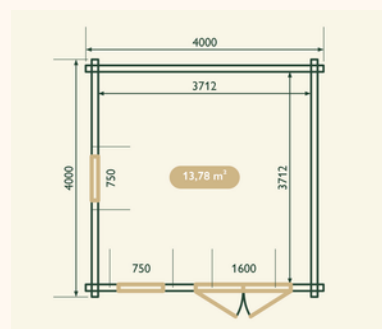


# GIRÒ 4×4

- The cabin is made of 28 mm thick wooden beams.
- Double wind locks joining the beams prevent draughts.
- The roof and floor are made of boards and joined with single wind locks.
- The base of the house that is in contact with the ground is treated with a preservative.
- The doors and windows are double glazed to keep warmth inside.
- The door has a lock.
- The natural colour of the walls emphasises the innate beauty and sustainability of the wood.
- The original product may vary from product images. Please refer to the product specification and optional extras before purchase. Producer shall have the right to make technical changes to the product.

3897 EUR

Riga, Latvia



**Contact Us:**  
+31 6 33193835

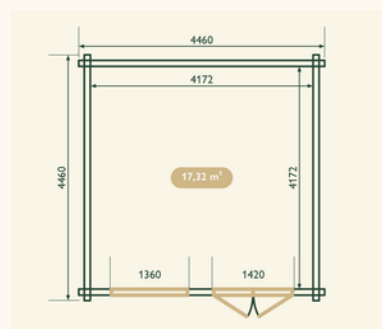


# MERLOT 4.5×4.5

- The cabin is made of 44 mm thick wooden beams.
- Double wind locks joining the beams prevent draughts.
- The roof and floor are made of boards and joined with single wind locks.
- The base of the house that is in contact with the ground is treated with a preservative.
- The doors and windows have non-standart double glazing and decorative grill.
- The natural colour of the walls emphasises the innate beauty and sustainability of the wood.
- The original product may vary from product images. Please refer to the product specification and optional extras before purchase. Producer shall have the right to make technical changes to the product.

4497 EUR

Riga, Latvia



**Contact Us:**  
+31 6 33193835

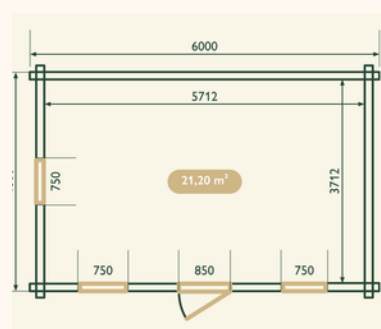
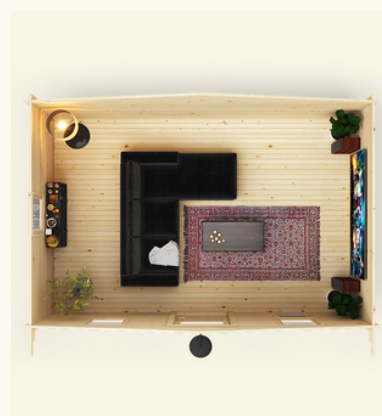


# MOURVÈDRE 6×4

- The cabin is made of 44 mm thick wooden beams.
- Double wind locks joining the beams prevent draughts.
- The roof and floor are made of boards and joined with single wind locks.
- The base of the house that is in contact with the ground is treated with a preservative.
- The doors and windows are double glazed to keep warmth inside.
- The door has a lock.
- The natural colour of the walls emphasises the innate beauty and sustainability of the wood.
- The original product may vary from product images. Please refer to the product specification and optional extras before purchase. Producer shall have the right to make technical changes to the product.

4897 EUR

Riga, Latvia



**Contact Us:**  
+31 6 33193835

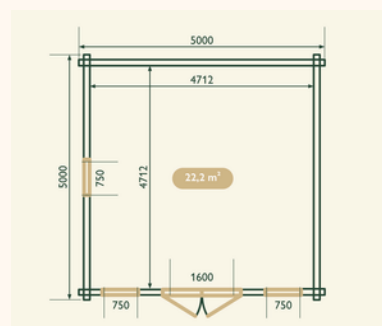


# BARBERA 5×5

- The cabin is made of 44 mm thick wooden beams.
- Double wind locks joining the beams prevent draughts.
- The roof and floor are made of boards and joined with single wind locks.
- The base of the house that is in contact with the ground is treated with a preservative.
- The doors and windows are double glazed to keep warmth inside.
- The door has a lock.
- The natural colour of the walls emphasises the innate beauty and sustainability of the wood.
- The original product may vary from product images. Please refer to the product specification and optional extras before purchase. Producer shall have the right to make technical changes to the product.

4797 EUR

Riga, Latvia



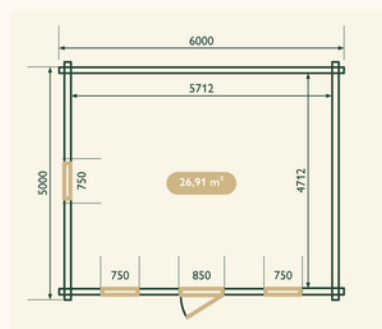
**Contact Us:**  
+31 6 33193835





# CARMENERE 6×5

- The cabin is made of 44 mm thick wooden beams.
- Double wind locks joining the beams prevent draughts.
- The roof and floor are made of boards and joined with single wind locks.
- The base of the house that is in contact with the ground is treated with a preservative.
- The doors and windows are double glazed to keep warmth inside.
- The door has a lock.
- The natural colour of the walls emphasises the innate beauty and sustainability of the wood.
- The original product may vary from product images. Please refer to the product specification and optional extras before purchase. Producer shall have the right to make technical changes to the product.



5497 EUR

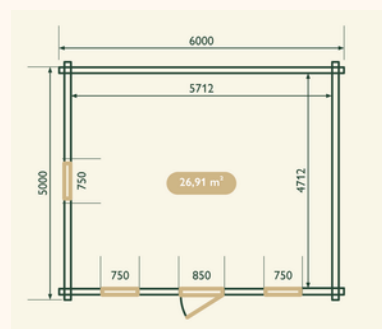
Riga, Latvia

Contact Us:  
+31 6 33193835



# CARMENERE 6×5

- The cabin is made of 44 mm thick wooden beams.
- Double wind locks joining the beams prevent draughts.
- The roof and floor are made of boards and joined with single wind locks.
- The base of the house that is in contact with the ground is treated with a preservative.
- The doors and windows are double glazed to keep warmth inside.
- The door has a lock.
- The natural colour of the walls emphasises the innate beauty and sustainability of the wood.
- The original product may vary from product images. Please refer to the product specification and optional extras before purchase. Producer shall have the right to make technical changes to the product.



5497 EUR

Riga, Latvia

Contact Us:  
+31 6 33193835

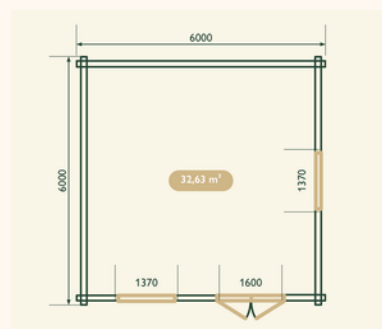


# NOCERA 6×6

- The cabin is made of 44 mm thick wooden beams.
- Double wind locks joining the beams prevent draughts.
- The roof and floor are made of boards and joined with single wind locks.
- The base of the house that is in contact with the ground is treated with a preservative.
- The doors and windows are double glazed to keep warmth inside.
- The door has a lock.
- The natural colour of the walls emphasises the innate beauty and sustainability of the wood.
- The original product may vary from product images. Please refer to the product specification and optional extras before purchase. Producer shall have the right to make technical changes to the product.

5997 EUR

Riga, Latvia



**Contact Us:**  
+31 6 33193835



# TOOL SHED

- Made from industrially manufactured panels that enable simple and super fast assembly.
- Wide, lockable door with a lock.
- Galvanised connections and metal part.
- Weather-proof, industrially manufactured roof panel protects from harsh weather.
- Metal eaves board protects wood from moisture.
- 6 hangers for easy storage.
- Adjustable shelves.
- Sustainable and FSC certified timber.
- All parts included.
- 



627 EUR

Riga, Latvia

**Contact Us:**  
+31 6 33193835



# TOOL SHED IMPREGNATED

- Brown, pressure-impregnated.
- Made from industrially manufactured panels that enable simple and super fast assembly.
- Wide, lockable door with a lock.
- Galvanised connections and metal part.
- Weather-proof, industrially manufactured roof panel protects from harsh weather.
- Metal eaves board protects wood from moisture.
- 6 hangers for easy storage.
- Adjustable shelves.
- Sustainable and FSC certified timber.
- All parts included.
- 



637 EUR

Riga, Latvia

**Contact Us:**  
+31 6 33193835



# STORAGE SHED

- Wide, lockable door with a lock.
- Walls, roof, floor, and door from industrially manufactured panels enable simple and very fast assembly.
- The special design of panels prevents mistakes during assembly.
- Galvanised connections and metal parts.
- Weather-proof roof protects from harsh weather.
- All parts included.
- Sustainable and FSC certified timber.
- 



1247 EUR

Riga, Latvia

**Contact Us:**  
+31 6 33193835



# STORAGE SHED IMPREGNATED

- Brown, pressure-impregnated.
- Wide, lockable door with a lock.
- Walls, roof, floor, and door from industrially manufactured panels enable simple and very fast assembly.
- The special design of panels prevents mistakes during assembly.
- Galvanised connections and metal parts.
- Weather-proof roof protects from harsh weather.
- All parts included.
- Sustainable and FSC certified timber.



1277 EUR

Riga, Latvia

**Contact Us:**  
+31 6 33193835